

GEAR BOX [JK-ST]

NORMAL POWER RATINGS

허용 전달 용량표

(Unit : kW)

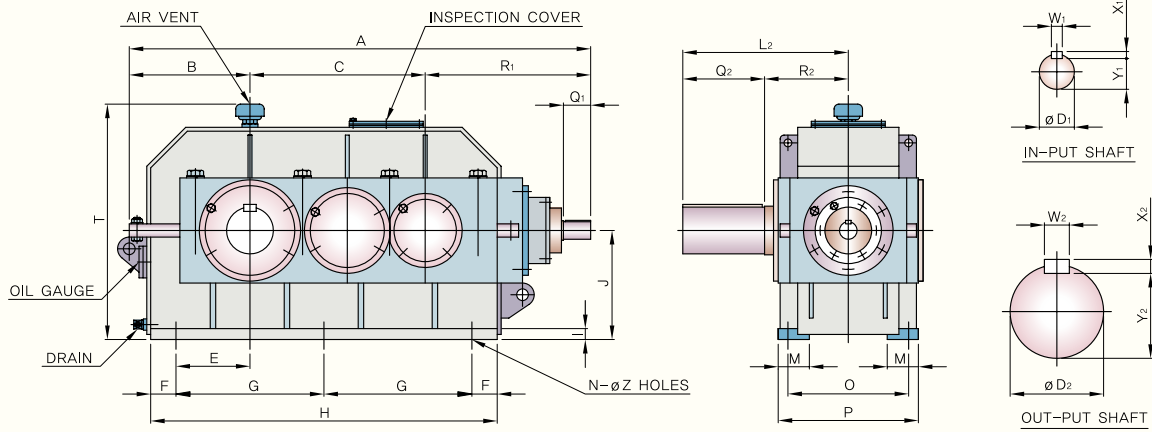
Ratio	n1 [min ⁻¹] r.p.m.	n2	Gear Reducer Frame No.															
			240	272	305	340	385	430	480	540	605	680	765	855	960	1080	1210	1360
			Transmitting Power															
18	1800	3.6	24.7	36	50	64	99	133	180	245	380	470	670	320	1520	2080	-	-
	1200	2.4	17.0	25.3	34	45	66	90	130	180	280	350	490	820	1130	1520	2200	2500
	900	1.8	12.9	19.4	26.5	35	49	68	100	140	220	280	390	650	900	1200	1650	1900
	720	1.4	10.3	15.8	22.8	29	43	56	80	120	180	240	340	540	790	1000	1400	1700
20	1800	3.2	21.8	34.2	46	58	90	120	165	230	360	460	650	1100	1500	2050	2180	-
	1200	2.1	20.7	23.4	31.5	41	60	82	120	170	260	320	460	760	1050	1400	1840	2400
	900	1.6	11.3	17.8	24.0	31	46	62	90	130	200	250	350	570	810	1050	1550	1840
	720	1.2	8.9	14.1	20.0	26	38	50	75	110	170	210	310	480	690	890	1340	1660
22.4	1800	2.8	19.2	30	43	55	80	115	150	210	330	440	620	1030	1310	1900	2050	2750
	1200	1.9	13.1	20.2	29	38	55	78	108	150	240	300	430	680	920	1260	1680	2100
	900	1.4	10.0	15.2	22	29	42	58	84	120	180	230	320	510	710	930	1360	1680
	720	1.1	7.9	12.1	18.0	25	35	48	66	100	150	190	270	420	600	790	1170	1600
25	1800	2.5	17.5	26.8	38	53	72	103	140	190	300	400	570	890	1210	1650	2030	2650
	1200	1.6	12.0	17.7	25.5	35	49	69	90	140	210	270	390	610	870	1120	1600	2050
	900	1.2	9.0	13.2	19.9	27	37	52	74	110	165	200	290	470	680	870	1320	1650
	720	1.0	7.2	11.0	15.8	22	30	42	59	90	134	165	240	380	530	720	1000	1520
28	1800	2.2	15.9	22.0	32	45	64	85	125	185	280	340	500	790	1100	1490	2600	2350
	1200	1.5	10.7	14.6	21.5	30	44	58	83	125	190	240	350	540	760	1020	1450	1900
	900	1.1	8.1	11.0	16.5	22.5	34	44	62	95	145	180	270	410	580	770	1130	1600
	720	0.9	6.2	8.9	13.4	18.3	27	35	50	79	120	150	220	330	70	610	930	1310
31.5	1800	2	14.2	19.8	29.4	39	59	78	110	172	251	330	480	710	1020	1310	1950	2100
	1200	1.3	9.5	13.3	19.5	23	39	52	76	115	173	226	320	490	700	920	1350	1770
	900	1	7.1	10.0	14.5	20	29	40	58	87	132	171	240	370	530	710	1030	1490
	720	0.8	5.8	8.2	11.7	16.2	24	31	45	72	105	134	190	300	420	550	820	1200
35.5	1800	1.8	12.9	16.2	26.8	35	53	70	94	155	225	300	440	660	950	1240	1550	1870
	1200	1.2	8.6	11.0	17.7	23	36	46	63	103	156	200	290	450	620	840	1240	1570
	900	0.9	6.4	8.4	13.2	18.1	27	35	47	77	120	150	220	340	460	630	940	1320
	720	0.7	5.1	6.6	10.7	14.8	22	28.3	38	62	95	122	175	265	380	500	760	1050
40	1800	1.6	11.0	15.1	23.6	31	47	61	84	135	205	260	390	590	855	1120	1680	1740
	1200	1.0	7.6	10.0	15.9	21.6	32	41	56	93	140	185	260	410	570	740	1120	1430
	900	0.8	5.8	7.4	12.0	16.5	24.6	31	42	70	105	145	200	300	420	550	830	1190
	720	0.6	4.5	5.9	10.0	13.1	20.3	24.8	34	57	85	110	160	240	340	440	670	960
45	1800	1.4	9.7	13.3	20.7	28.5	43	55	78	125	185	240	350	510	750	980	1490	1710
	1200	0.9	6.7	9.0	13.8	19.0	28.2	37	52	83	124	160	230	370	510	670	1020	1290
	900	0.7	5.1	6.8	10.3	14.2	21.3	28.2	39	62	93	120	170	290	390	510	770	1030
	720	0.5	4.1	5.3	8.2	11.7	17.9	22.0	31	51	76	100	145	220	310	410	600	870
50	1800	1.2	9.0	11.6	18.5	26.8	36	50	69	112	160	210	310	470	670	910	1330	1710
	1200	0.8	6.0	7.8	12.4	17.7	26.9	33	47	75	107	140	205	320	450	600	900	1230
	900	0.6	4.5	5.8	9.3	13.2	21.0	25.0	35	56	80	105	155	240	335	445	680	970
	720	0.5	3.6	4.8	7.6	10.7	15.8	20.7	29	45	65	86	125	200	280	380	540	790
56	1800	1.1	7.8	10.3	16.8	23.3	34	43	61	98	140	190	380	425	590	780	1150	1690
	1200	0.7	5.2	6.9	11.2	15.5	23.1	29.8	42	66	97	125	185	290	410	540	790	1150
	900	0.5	4.0	5.2	8.4	11.6	17.4	22.6	32	50	75	95	135	220	315	410	600	870
	720	0.4	3.1	4.2	6.9	9.6	14.5	18.0	25.5	40	60	78	114	175	245	330	475	680
63	1800	1.0	7.2	9.4	14.4	20.1	30	38	54	85	127	172	245	375	525	690	1080	1310
	1200	0.6	4.7	6.3	10.0	13.6	20.4	26.3	37	58	82	115	165	255	365	475	715	920
	900	0.5	3.5	4.7	7.8	10.3	15.5	20.0	28.5	45	68	87	123	195	275	360	535	710
	720	0.4	2.9	3.8	5.9	8.2	12.4	15.8	22.8	35	54	68	100	155	220	295	435	580
71	1800	0.9	6.4	8.1	13.0	18.5	26.6	35	49	78	112	150	200	345	480	625	850	990
	1200	0.6	4.2	5.5	8.6	12.4	18.0	23.6	32	53	75	105	135	230	325	425	585	730
	900	0.4	3.1	4.2	6.4	9.3	13.6	17.8	24.6	40	55	80	103	170	245	325	445	580
	720	0.3	2.5	3.3	5.2	7.6	11.0	14.5	20.0	32	45	63	82	135	195	260	355	475
80	1800	0.8	5.3	7.7	10.3	16.6	25.2	32	43	63	98	135	185	300	400	615	745	950
	1200	0.5	3.6	5.1	6.6	11.4	16.5	22.1	29.8	43	67	93	125	200	285	420	520	630
	900	0.4	2.7	3.8	5.2	8.7	12.3	16.8	22.6	32	51	71	93	155	220	320	365	470
	720	0.3	2.2	3.1	4.2	6.9	9.6	13.4	19.3	26.2	38	55	75	125	170	220	295	385
90	1800	0.7	4.7	6.8	8.6	15.5	22.6	30	37	57	70	105	130	200	360	430	690	930
	1200	0.4	2.7	4.6	5.7	10.3	14.8	20.4	25.6	38	46	70	90	135	255	300	460	600
	900	0.3	2.3	3.5	4.3	7.8	11.0	15.5	19.4	28.5	34	55	65	100	170	230	340	420
	720	0.2	1.9	2.8	3.5	6.2	8.9	12.0	15.2	22.8	28	42	55	80	140	180	275	350

Thermal Capacities

(Unit : kW)

Ratio	n1 [min ⁻¹] ⁻¹	Gear Reducer Frame No.															
		240	272	305	340	385	430	480	540	605	680	765	855	960	1080	1210	1360
		Thermal Power															
Without cooling	720~1800	22	29	37	46	58	73	93	120	150	195	250	310	390	500	610	760

RIGHT ANGLE TYPE



Dimensions

(mm)

Frame No.	A	B	C	E	F	G	H	I	J	T	M	O	P	N	Z
ST 240	675	180	240	115	35	200	470	20	160	335	60	220	250	6	14
ST 272	767	195	272	120	45	215	520	20	180	335	70	240	280	6	18
ST 305	855	220	305	135	45	240	570	20	200	370	70	260	300	6	18
ST 340	935	240	340	155	45	275	640	25	225	415	80	280	330	6	23
ST 385	1035	265	385	175	50	310	720	25	250	460	90	320	370	6	23
ST 430	1150	290	430	200	50	385	870	30	280	520	90	360	430	6	27
ST 480	1285	330	480	225	50	425	950	30	315	585	90	390	450	6	27
ST 540	1430	365	540	240	70	465	1070	30	355	655	100	430	510	6	33
ST 605	1565	395	605	270	70	520	1180	30	400	740	100	470	550	6	33
ST 680	1755	440	680	305	80	590	1340	35	450	840	150	520	610	6	39
ST 765	1940	490	765	350	80	670	1500	35	500	940	150	580	670	6	39
ST 855	2160	535	855	395	80	505	1675	35	530	1015	150	630	720	8	39
ST 960	2450	590	960	440	90	560	1860	35	600	1140	150	700	790	8	39
ST 1080	2735	660	1080	505	95	640	2110	40	670	1280	180	770	870	8	45
ST 1210	3075	745	1210	575	95	725	2365	40	750	1430	180	850	950	8	45
ST 1360	3405	825	1360	650	100	820	2660	40	850	1720	190	1000	1100	8	52

Frame No.	Q1	R1	D1	W1	X1	Y1	L2	Q2	R2	D2	W2	X2	Y2	Weight (kg)	Oil (liter)
ST 240	35	255	22m6	6	6	18.5	265	105	160	65m6	18	11	58	106	7.6
ST 272	40	300	25m6	8	7	21	295	120	175	70m6	20	12	62.5	150	10
ST 305	60	330	30m6	8	7	26	345	140	205	80m6	22	14	71	195	14.5
ST 340	60	355	32m6	10	8	27	385	160	225	90m6	25	14	81	275	19
ST 385	60	385	35m6	10	8	30	410	180	230	100n6	28	16	90	370	28
ST 430	80	430	40m6	12	8	35	430	180	250	110n6	32	18	99	510	33
ST 480	80	475	45m6	14	9	39.5	480	210	270	120n6	32	18	109	680	41
ST 540	90	525	50m6	14	9	44.5	530	240	290	140n6	36	20	128	930	58
ST 605	105	565	60m6	18	11	53	590	270	320	160n6	40	22	147	1230	84
ST 680	105	635	65m6	18	11	58	655	310	345	180n6	40	25	165	1670	110
ST 765	120	685	70m6	20	12	62.5	740	350	390	200n6	45	25	185	2330	160
ST 855	140	770	85m6	22	14	76	820	400	420	230n6	50	28	213	2750	200
ST 960	160	900	95m6	25	14	86	915	450	465	260n6	56	32	240	3550	298
ST 1080	180	995	105n6	28	16	95	980	470	510	290n6	63	32	270	4750	410
ST 1210	210	1120	115n6	32	18	104	1070	500	570	320n6	70	36	298	6090	460
ST 1360	210	1220	125n6	32	18	114	1210	550	660	340n6	80	40	315	8590	560